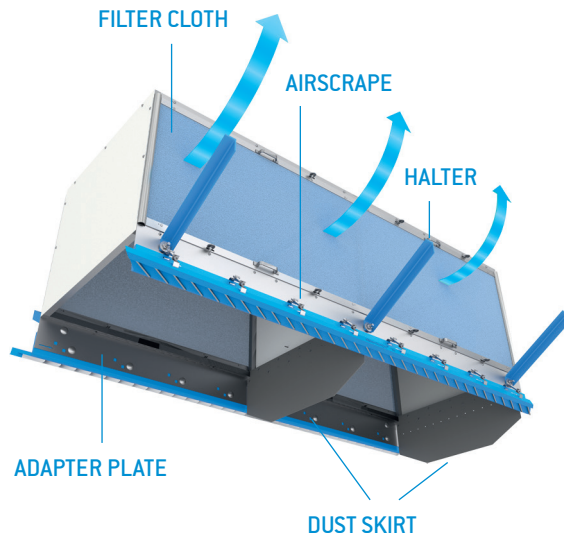


## HIGHLY EFFECTIVE AGAINST DUST FORMATION



The filter cloth retains dust particles, generated by the falling process of the material in the conveying stream and at the same time is air-permeable for the resulting overpressure. The special antistatic filter cloth is designed for dust particles. The special self-cleaning property of the antistatic filter cloth enables dust to be retained for a very long time. DustScape is also effective against drift and can be supplied in different filter cloth qualities, depending on the environment, also in stainless steel.

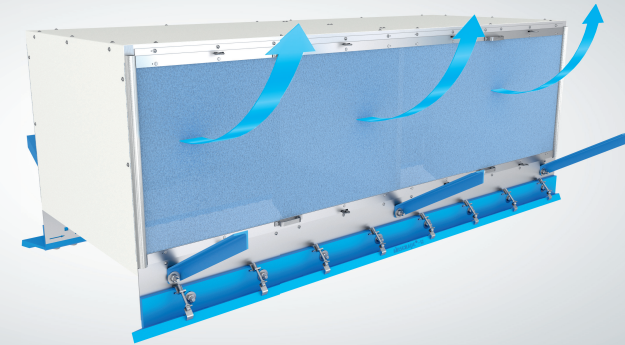
**Thorsten Koth**  
Managing partner  
Sales director

Phone +49 2842 9 32 92 94  
Mobile +49 171 1 24 22 59  
thkoth@scrapetec-trading.com  
scrapetec-trading.com

**Wilfried Dünwald**  
Managing partner  
Product development & Sales

Phone +49 2842 9 32 92 92  
Mobile +49 172 1 57 30 89  
w.duenwald@scrapetec-trading.com  
scrapetec-trading.com

# DUSTSCAPE

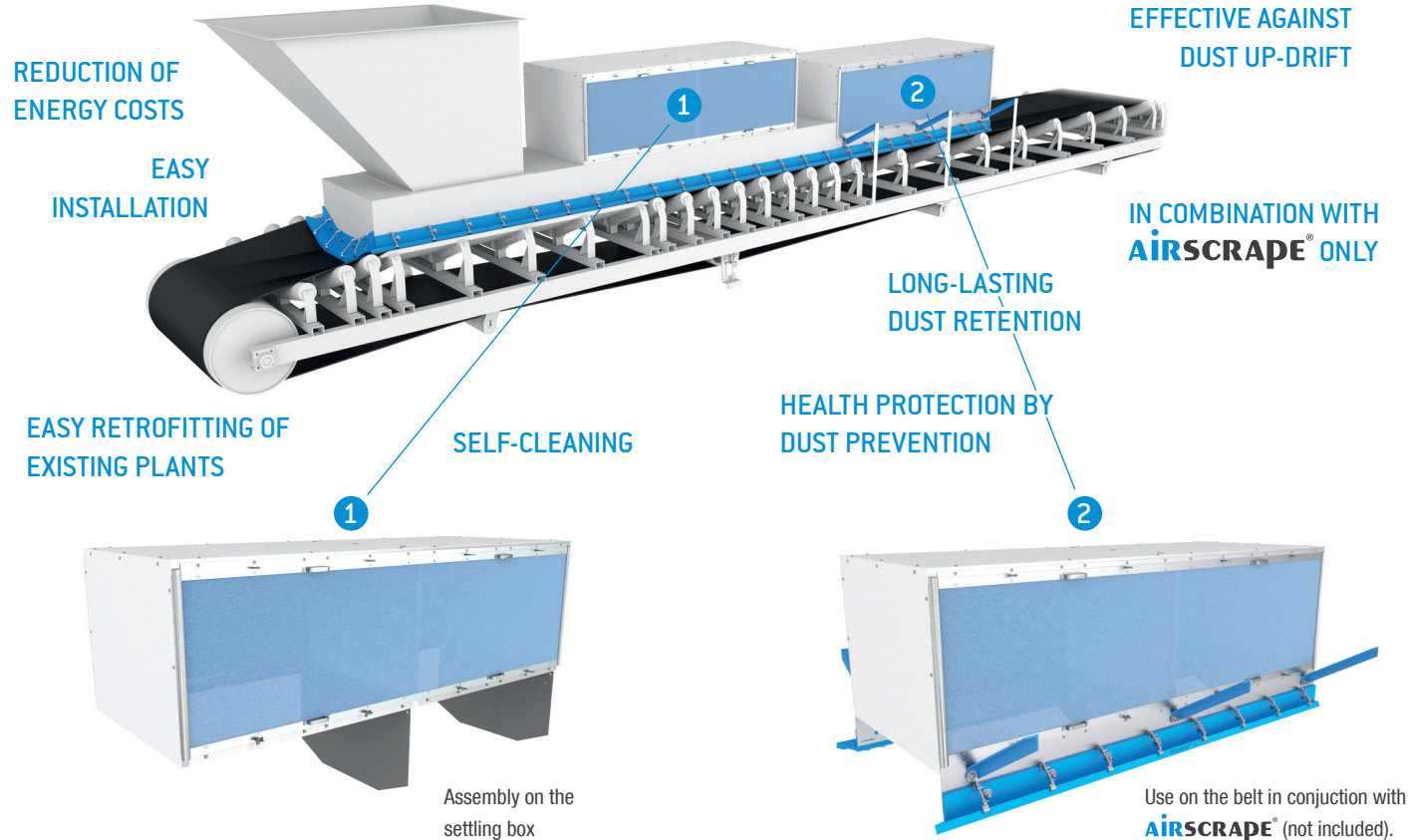


THE DUST FILTER CONCEPT  
in combination with  
**AIRSCRAPE®**

## DUST-RETAINING SPECIAL FILTER CLOTH

# DUSTSCRAPE

## ADVANTAGES



DustScape can be easily retrofitted to most existing conveyor belt systems. It is available in different filter cloth sizes (2, 4, 6 m<sup>2</sup>) for all conveyor belt widths. The selection of which size AirScrape to use, depends on load width, existing chute wall width and trough angle. AirScrape requires belt overhang outside the chute at the transfer point. Because AirScrape is not touching the belt surface, due to the diagonal array of lamellas, it creates a Venturi effect. Airflow created by the material flow can escape through the filter cloth, dust particles will remain inside the Dustbox and drop back into the material flow.

DustScape is easy to install, durable, maintenance-free and contact-free, and can also be combined with existing dust collection systems. The combination of filter cloth and AirScrape, the patented sidewall seal (not included), makes the „DustScape“ a highly effective system against dust generation and thus helps to improving occupational safety and environmental protection. A highly efficient compact solution for operation dust-free conveyor belts at comparatively low cost and without the energy input of dust.

- health protection through Dust Prevention
- easy retrofitting of existing systems, for improved compliance with the new dust guidelines
- suitable for any conveyor belt width
- easy installation
- maintenance-free and contactless
- available in different qualities (anti-static)
- extremely long-lasting dust retention due to selfcleaning properties of the SPECIAL filter cloth
- effective against dust up-drift
- reduction of energy costs  
No energy required for dust extraction. If an existing dust extraction system is in operation, energy requirements will be reduced.
- a contribution to occupational safety and environmental protection
- Only effective with the **AIRSCRAPE**<sup>®</sup> skirting only (not included in delivery)