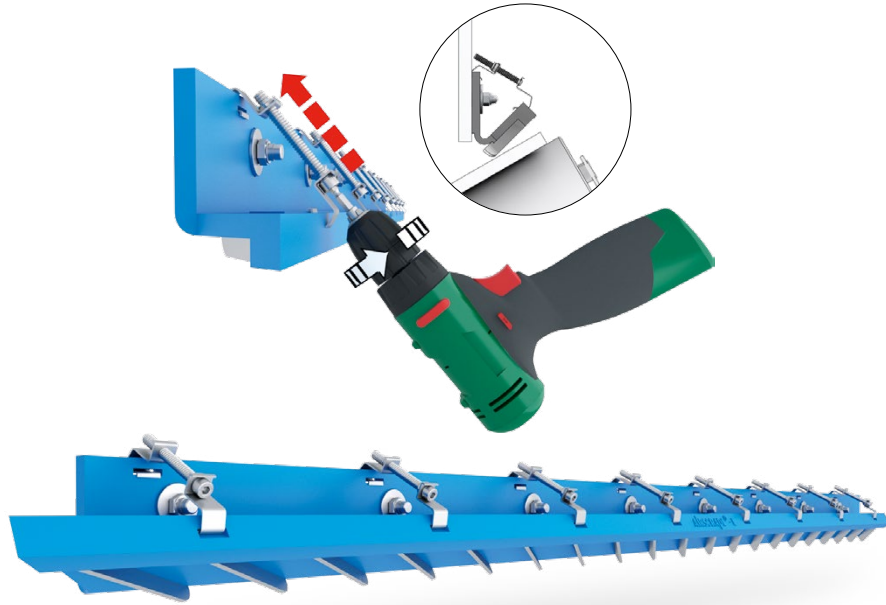
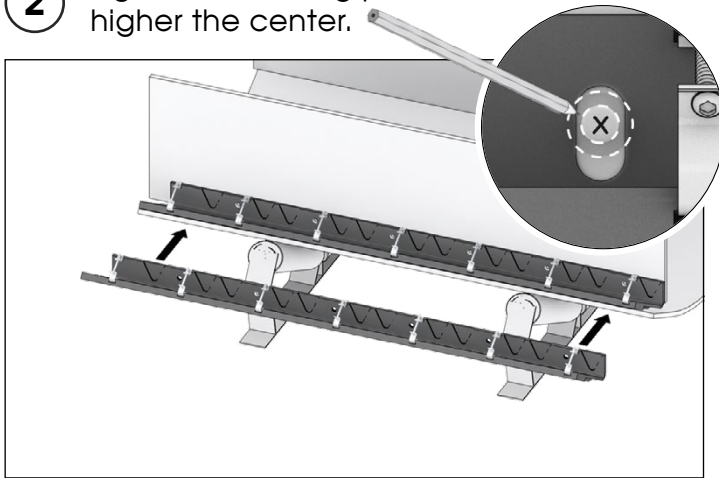


Correct Installation

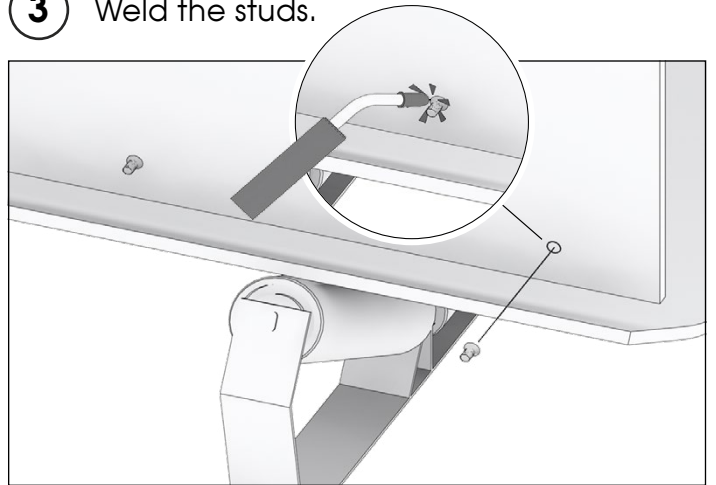
- 1** Lift it higher than the trough angel.



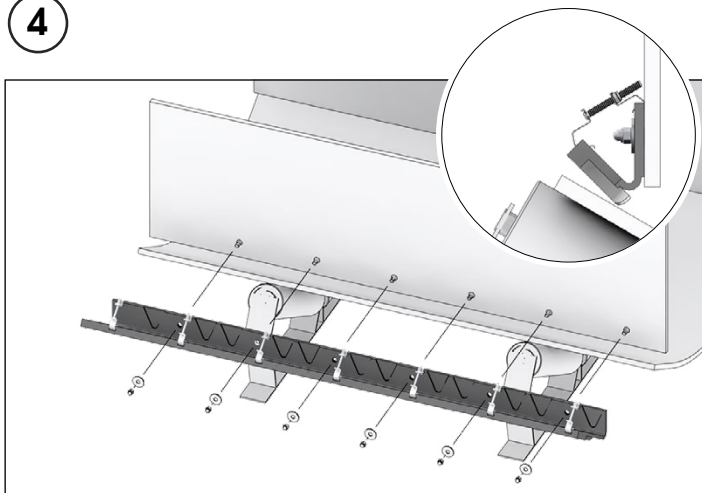
- 2** Signe the welding point 5 mm higher the center.



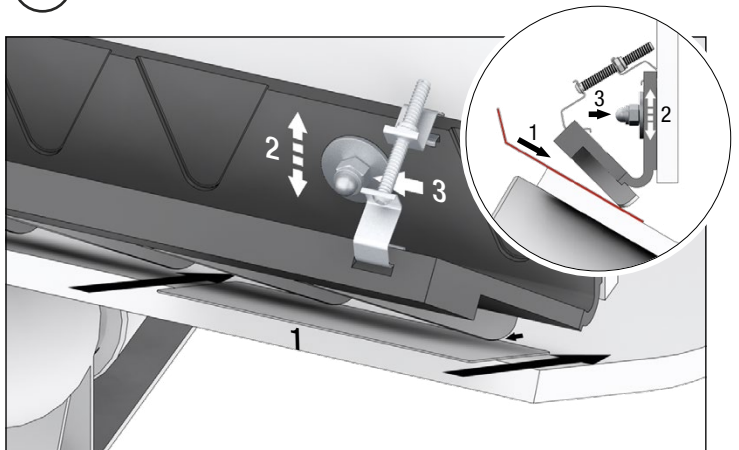
- 3** Weld the studs.



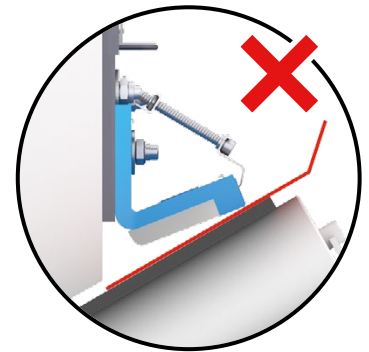
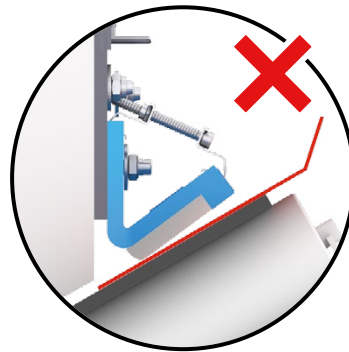
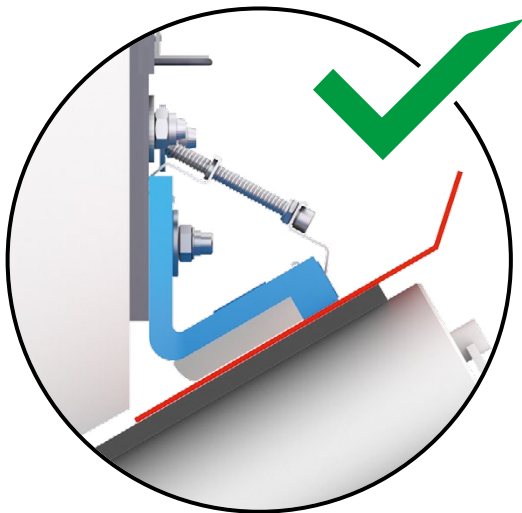
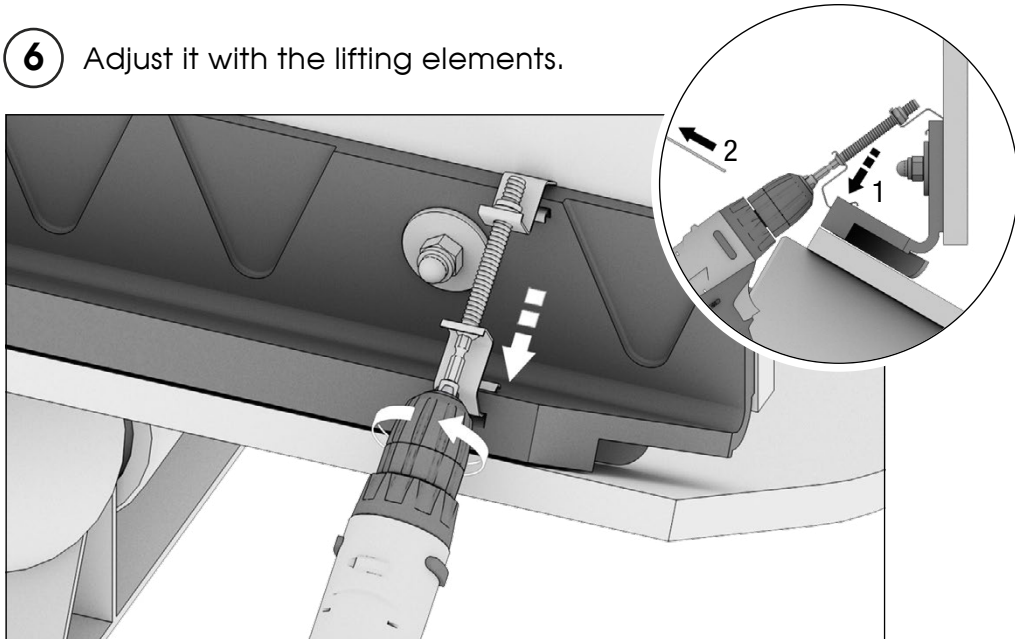
- 4**



- 5** Use the distance plate.



6 Adjust it with the lifting elements.



Video Assembly Instructions

